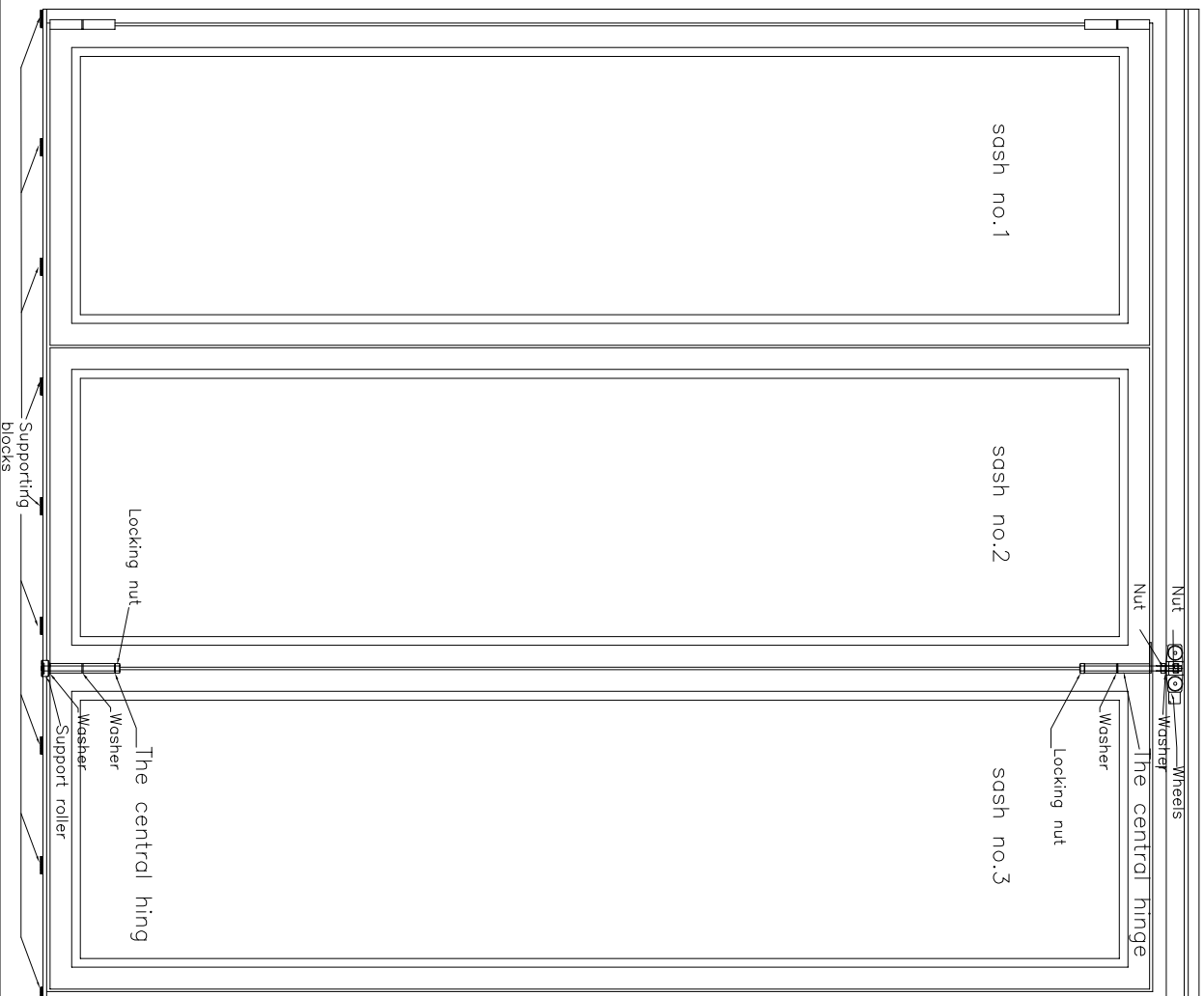
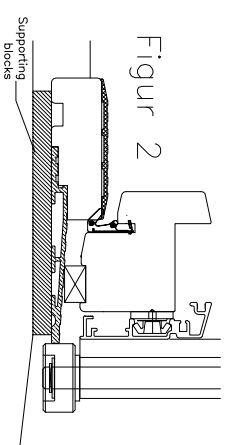



INSTRUCTIONS FOR INSTALLATION OF FOLDINGDOORS



1. Fix loose beam to supporting structure in absolutely horizontal and vertical position. Has to be fitted 4 mm in front of door frame. This allows space for track.
2. Install upper door frame into the upper beam with a 5 mm gap
3. Install outer side door frames in vertical position with wedges and a 5 mm gap
4. Install bottom door frame horizontal with wedges with a 5 mm gap
5. Install door 1 + 2 (towards receiving side)
6. Fix outer side door frames to wall
7. Support door 2 with wedges and install door 3 (remember all doors are hanging)
8. Adjust wheel - a 5 mm gap is recommended
9. Adjust wedges and fix the rest of the frame
10. Fill surrounding joints.



Figur 2

Unik  **Funkis**

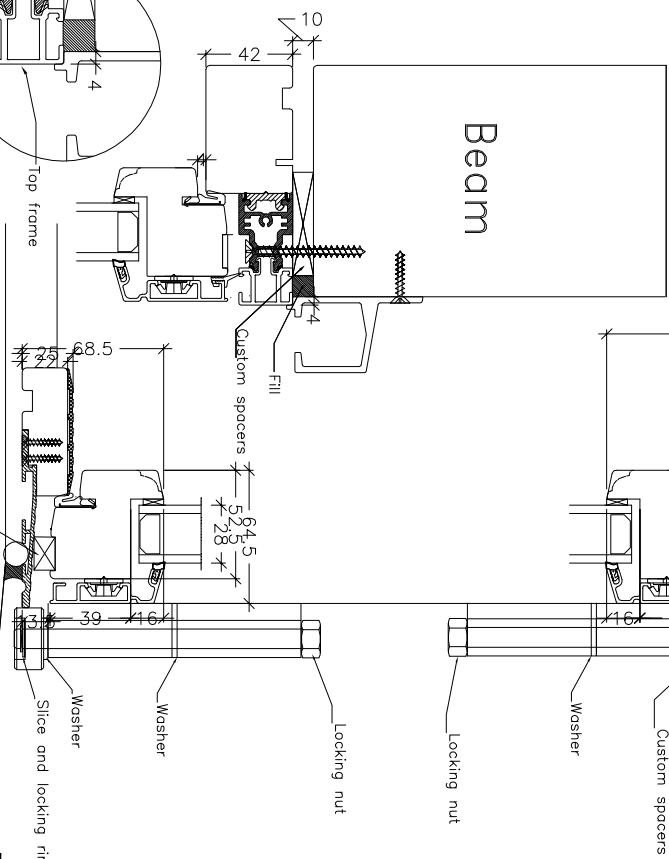
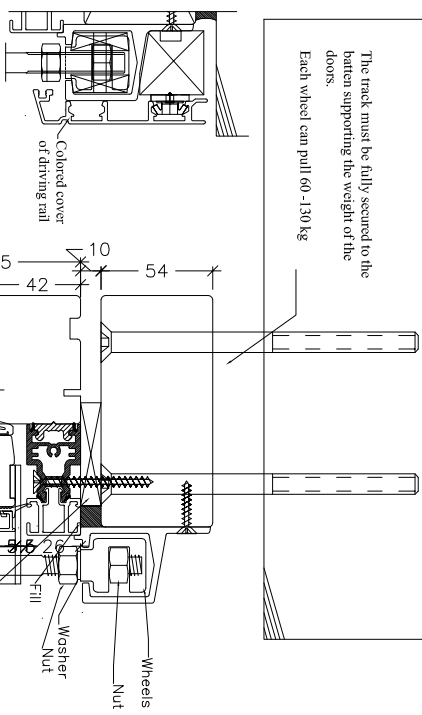
VINDUER & DØRE A/S
L'ivvej 10b 8800 Viborg tlf. 86621888

INSTRUCTIONS FOR INSTALLATION OF FOLDINGDOORS

CONCRETE, WOOD

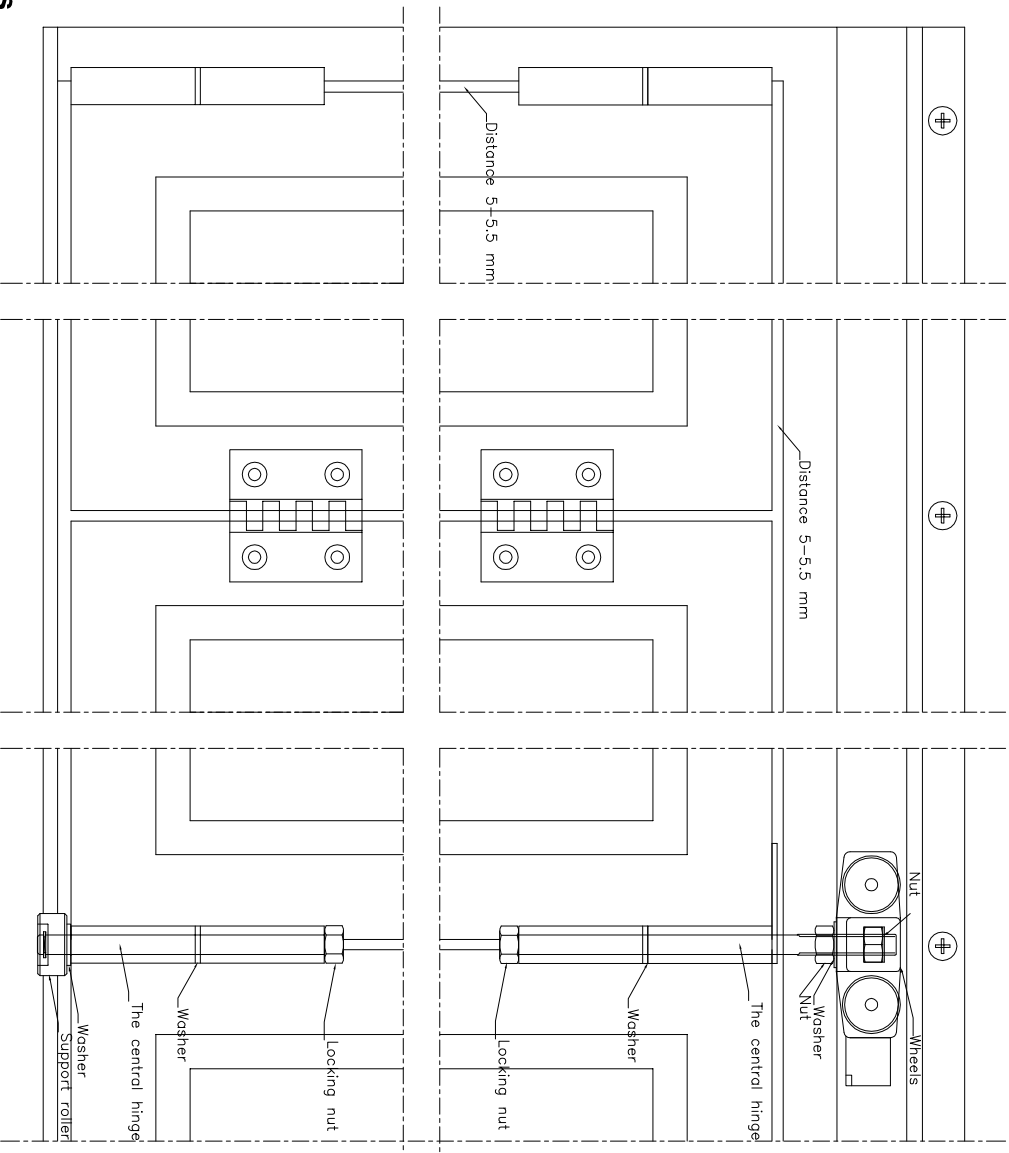
The track must be fully secured to the battens supporting the weight of the doors.

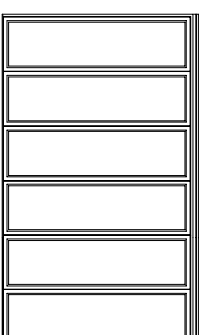
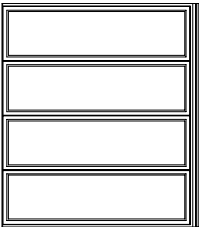
Each wheel can pull 60 -130 kg



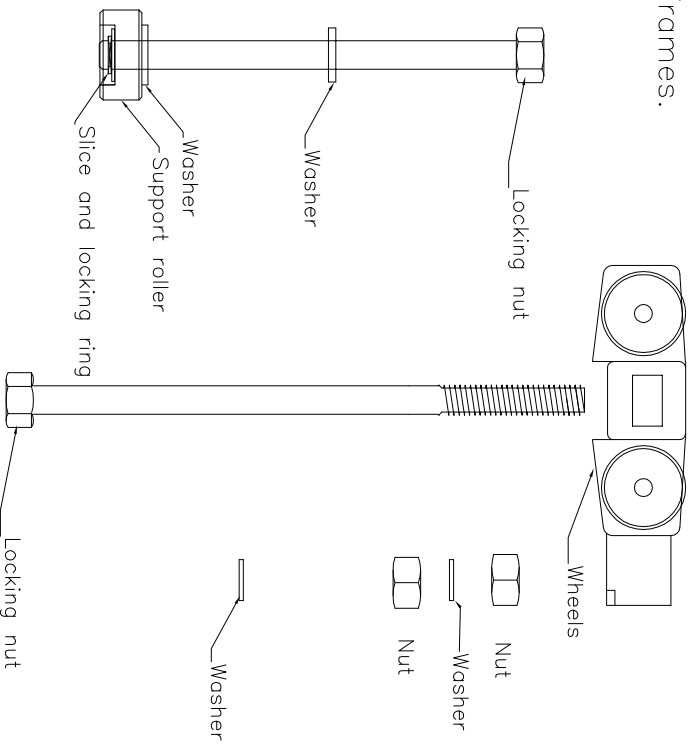
Figur 1

Please be aware that folding/sliding doors are supported from the upper track.
 The structural beam should be calculated to support the complete weight of the doors.
 Each door can weigh up to 65 kg, and the pull from each wheel can be up to 130 kg.
 Please be aware to install the upper beam in absolutely horizontal position.
 Larger doors will be supplied with framework to be assembled onsite.

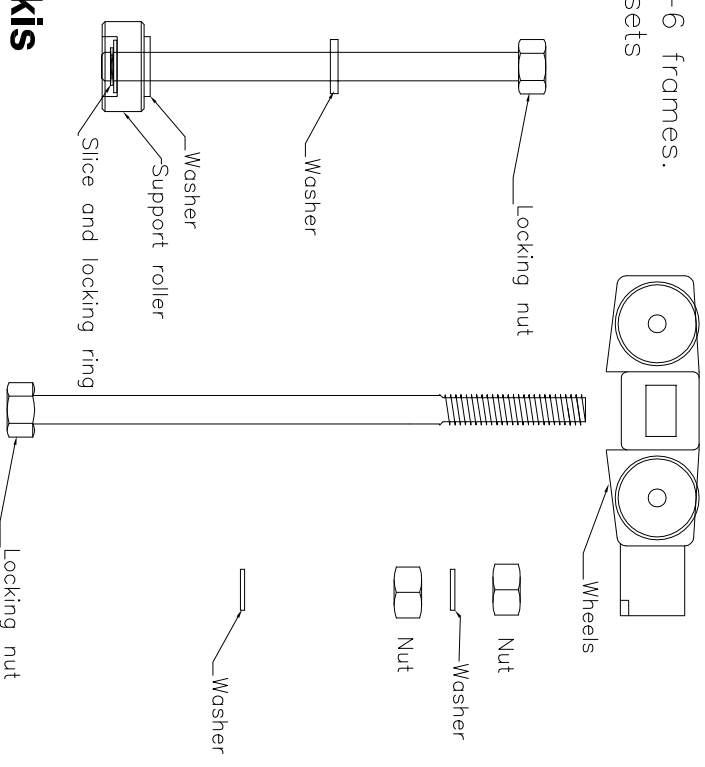




At 4 frames.
A set



At 5-6 frames.
Two sets



Unik
VINDUER & DØRE A/S
Livøvej 10B 8800 Viborg tlf: 86621888

Funkis